

DSCUSB Standard Manual

Standard level user documentation.



ME mantracourt
USB Strain Gauge or Load Cell Digitiser Module

Contents

Chapter 1 Introduction	2
Overview	2
Manual Scope	2
LED Status Indication	2
Chapter 2 Getting Started	3
Communications Interface Information	3
DSC Toolkit	3
What Can The Toolkit Do?	3
Installing DSC Toolkit.....	3
Connecting the Module to the Computer	4
Using the Found New Hardware Wizard.....	4
Using the Software.....	5
Information Page	6
Home Page	8
Save and Restore Page	9
Trend Chart Page.....	10
Logging Page	12
Data Rates and Filter Page	14
Calibration Page	17
Calibration	18
Auto Calibration	18
Table Calibration	18
Simple Unit Conversion	19
Shunt calibration.....	20
System Zero	20
Limits	21
Units	21
Advanced Calibration Page	22
Chapter 3 Installation	23
Identifying Strain Gauge Connections	23
9 way D Connector Pin-outs	23
4-wire load cell.....	23
6-wire load cell.....	23
Temperature Sensor (Optional)	24
Chapter 4 Specifications	25
Technical Specifications	25
Dimensions & Mounting	26
External Dimensions	26
LED Position	26
Mounting Holes	26
DIN Rail Mounting (Optional Kit).....	27
Cable Clearance	27
Cable Retention	28
Environmental Approvals	28
CE Approvals	28
Warranty	28

Chapter 1 Introduction

This chapter provides an introduction to the DSCUSB products, describing the product range and main features.

Overview

The DSCUSB product is a compact, high-precision Strain Gauge Converter; converting a strain gauge sensor input to a **digital** output and is connected to a PC via a USB port. They allow high precision measurements to be made and communicated directly to a PC and is aimed at applications which require high-accuracy measurement repeatability. With the appropriate drivers installed, the DSCUSB appears as a virtual serial port to the PC.

Simply by plugging the device into a PC, data can be extracted from most strain gauge bridge input sensors and acquired by software which allows data manipulation removing the need for amplifiers, filters & multimeters.

Free-standing module fitted with 9-way 'D' type socket for load cell and optional temperature sensor connections.

Micro USB socket accepts a USB lead with type 'A' connector at the PC end.

Manual Scope

This manual covers only the **Standard** level of functionality and calibration and assumes the operator is going to use the **DSC Toolkit** as a means of configuration and to extract data from the module.

The DSCUSB may have already been connected to a loadcell and calibrated in which case this is the only manual you will need to refer to.

A separate manual covers the Advanced functionality which includes loadcell profiling calibration, information on writing your own communication software and advice on OEM production techniques.

If you have purchased this module and intend to connect it to a loadcell and perform linearization or temperature compensation then you will need to refer to the DSCUSB Advanced Manual.

Please note that your DSCUSB module may have had the advanced features locked and if this is the case then you will only be able to use the features documented in this manual.

LED Status Indication

The module indicates status via a flashing red Healthy LED.

With no load cell connected The LED of the DCell or DSC should flash OFF for 100ms every 500ms (LED will be ON but flash off for a tenth of a second every half a second).

If a load cell is connected and there are no errors then the LED will Flash ON for 100mS then OFF every 500ms (LED will be off but flash on for a tenth of a second every half a second).

Chapter 2 Getting Started

Please ensure that software is installed before connecting the module to your PC

This chapter explains how to connect to a DSCUSB for the first time and how to get it working.

Communications Interface Information

DSCUSB modules can connect to a PC by plugging into a USB port and do not require an external power supply as they appear as a 'single unit load' i.e. they draw <100mA.

Appropriate drivers must be installed which are bundled with the **DSC Toolkit**. These create a virtual serial port allowing the DSCUSB to appear to the PC as a normal COM port device.

DSC Toolkit

The DSC Toolkit is a simple configuration tool designed specifically for configuring DSCUSB modules. This toolkit allows configuration, calibration, logging and parameter management of the modules.

What Can The Toolkit Do?

Communications with a single module at a time to do the following:

- Viewing of input with enunciators for integrity and range errors.
- Two point auto calibration by application of known weight.
- Setting System Zero and under and over range limits.
- Select measurement rate and filter settings.
- Save module settings including user calibration and ability to restore to same or different USB DSC modules.
- Log input value to a CSV file at up to 100Hz which can be analysed in Microsoft Excel.
- Trend chart view of live input. Exportable image and data.
- Easily switch to alternative engineering units (If module has been previously calibrated)
- Advanced Calibration (Not covered in this manual, see DSCUSB Advanced Manual)
 - 5 point temperature compensation
 - 7 point linearization
 - Lockable calibration

Installing DSC Toolkit

Install the DSC Toolkit software by inserting the CD in the CD ROM drive. This should start the 'AutoRun' process, unless this is disabled on your computer.

(If the install program does not start of its own accord, run SETUP.EXE on the CD by selecting 'Run' from the 'Start Menu' and then entering *D:\SETUP*, where *D* is the drive letter of your CD-ROM drive).

The installation software pre-installs the required drivers so that they can be automatically found when the hardware is plugged in later on.

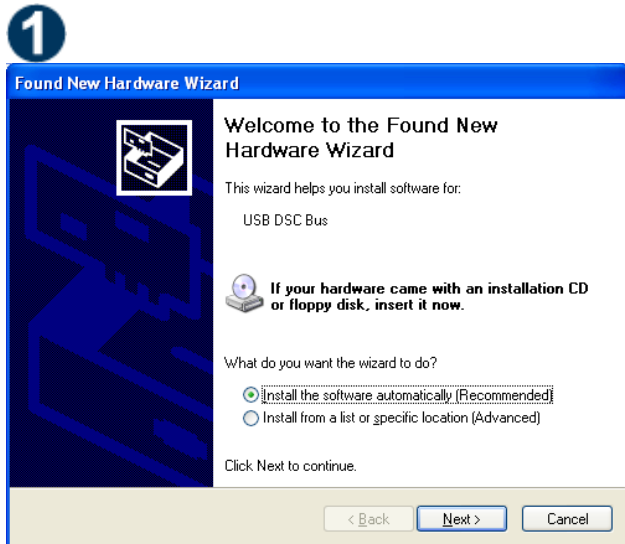
After the software has been installed please connect the module and see the next section before running the DSC Toolkit

Connecting the Module to the Computer

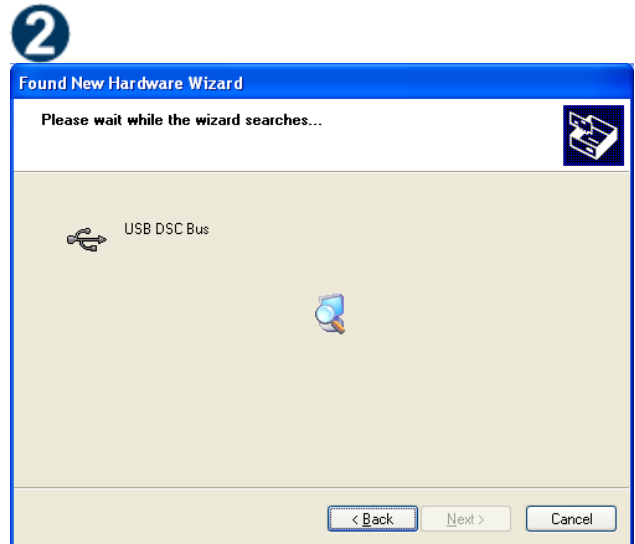
Connect to a spare USB port on the Windows PC using the cable provided with the module.

Using the Found New Hardware Wizard

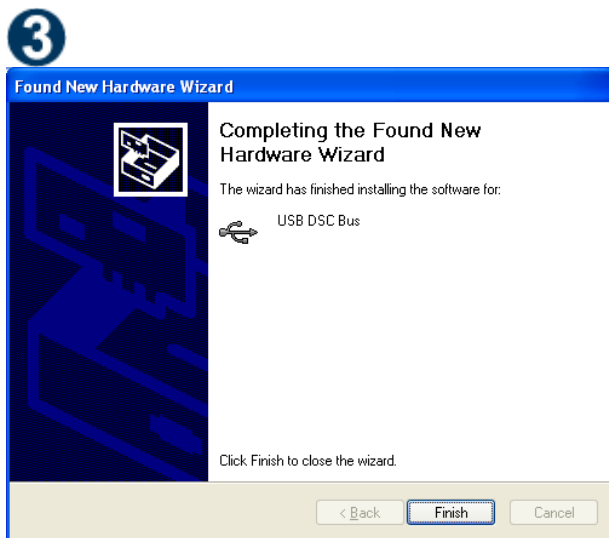
Connecting the module will cause the following dialog windows to appear. NOTE: Different operating systems may present different dialog windows but the dialogs shown below should allow you make the correct choices regardless of operating system.



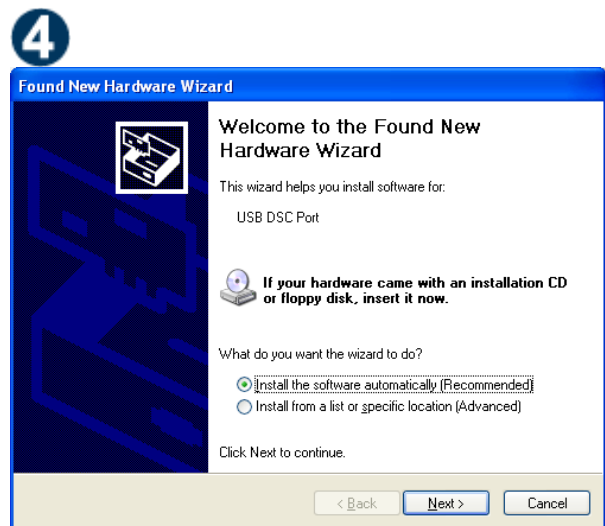
The 'Found New Hardware Wizard' should now appear. Select 'No, not at this time' so that the wizard does not try searching online for a driver. Click 'Next'.



Now the wizard will start searching for the drivers.



The wizard should then proceed with installing the software drivers.



Please note that there are two interfaces to the hardware so that there are two drivers that will be installed

The **USB DSC Port** and the **USB DSC Bus**.

So the next dialog box you will see will be for the USB DSC Port and the steps will be repeated from step 2.

Using the Software

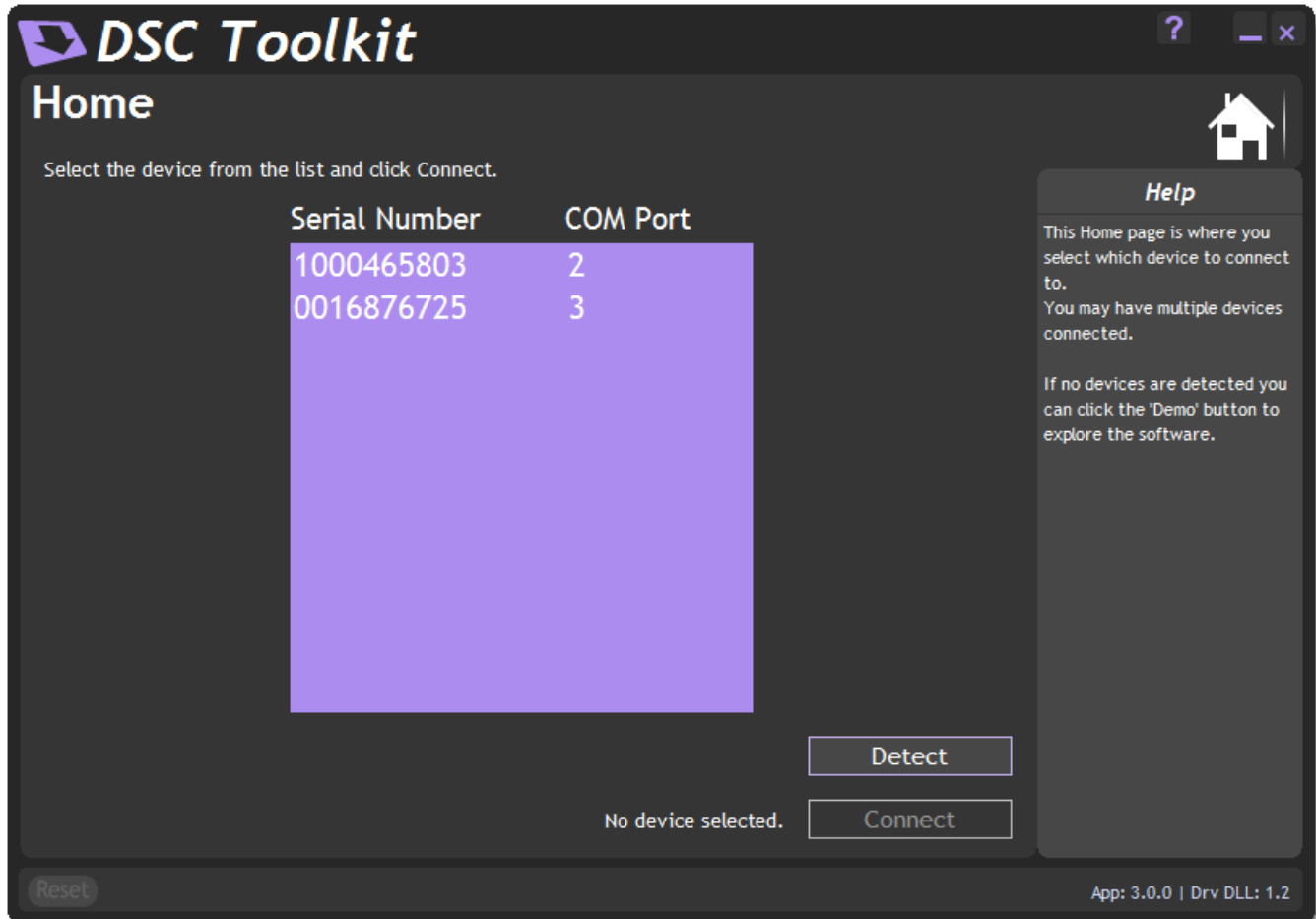
You can now launch the DSC Toolkit software.

The DSC Toolkit automatically detects the connected DSCUSB modules.

If there is only one DSCUSB connected when you launch the DSC Toolkit it will be automatically selected and the **Information Page** will be displayed.

If multiple modules are detected you will be presented with a list to choose one from on the **Home Page**.


To connect to a module just click on one in the list to highlight it and click the **'Connect'** button (Or just double click the module in the list).

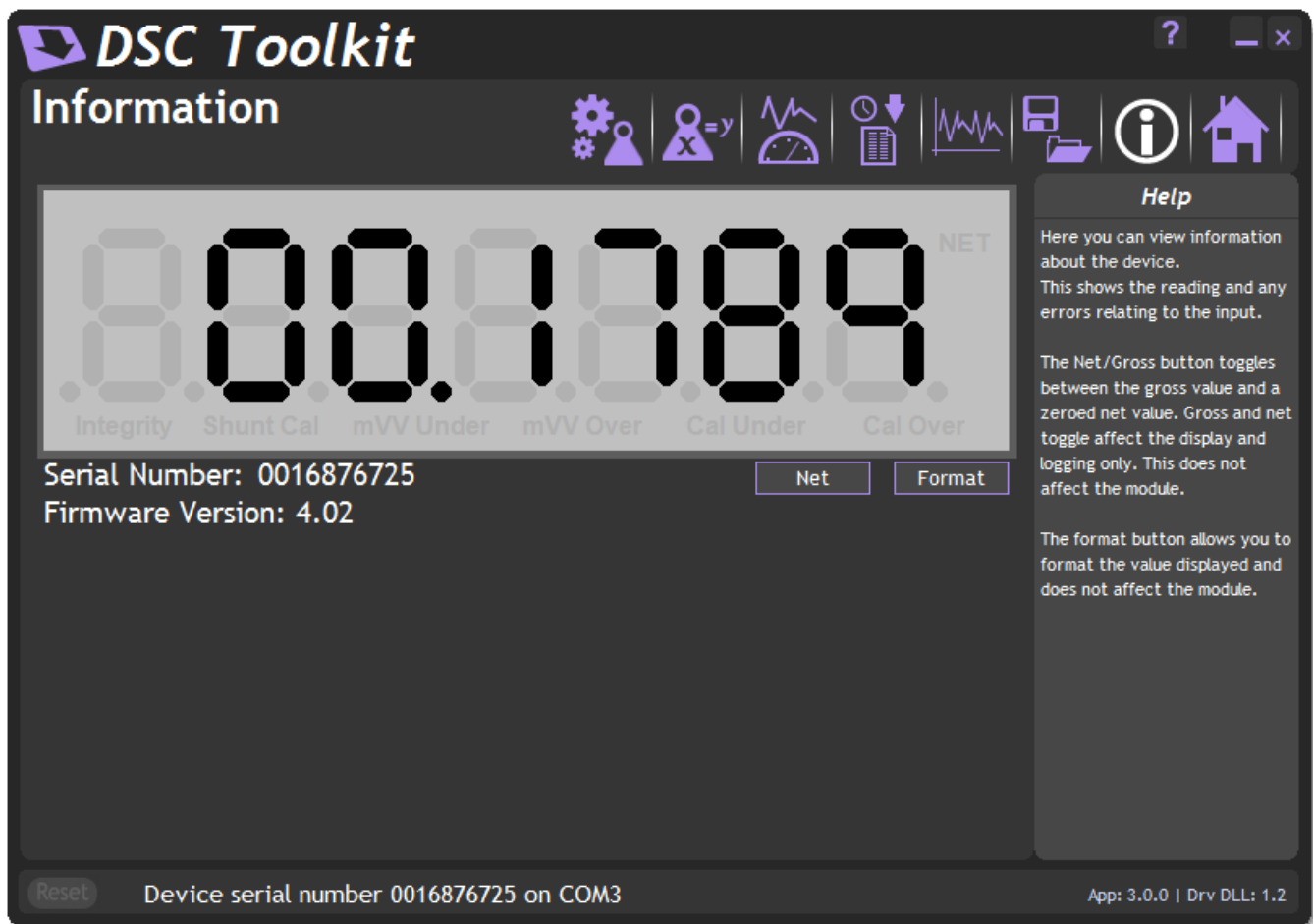


You will then see the Information page.

If no modules have been detected the 'No modules detected' message appears. Click the 'OK' button and the 'Connect' button changes to 'Demo'. If you click the 'Demo' button you can navigate through the software application with no module attached.

Information Page

Click the  icon to access the Information page.



This simply shows a large display and indicates if any error conditions are present by displaying an information box.

If the module has been allocated engineering units these may be displayed in the upper right of the LCD display.

'Net' Button

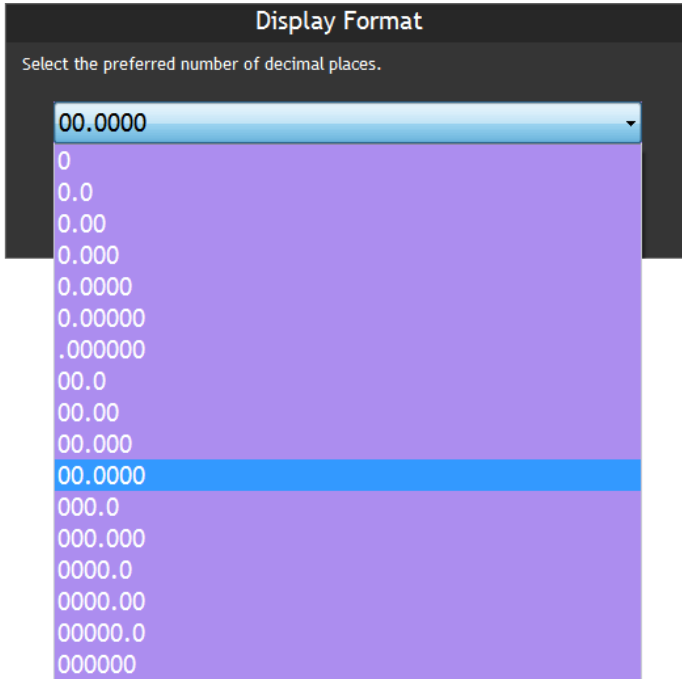
Clicking the 'Net' button will zero the display. When zeroed the 'NET' indicator will be displayed and the button caption will change to 'Gross'



Clicking the 'Gross' button will return the display to the actual value from the module. Note that with an unconnected input you may not see any effect by clicking this button.

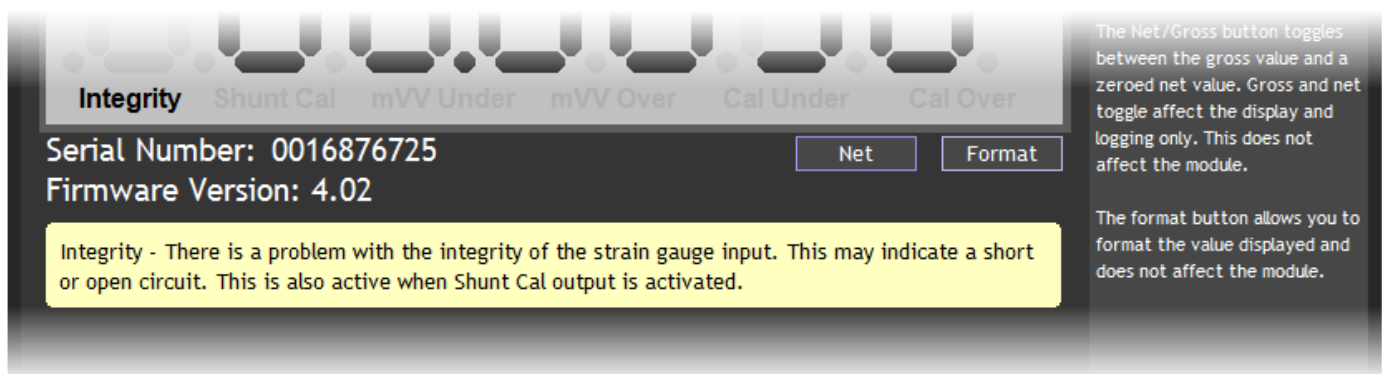
'Format' Button

Clicking the 'Format' button allows you to select a new format for the displayed value. By using this you can hide unwanted decimal places.



Just click the required display format in the list.

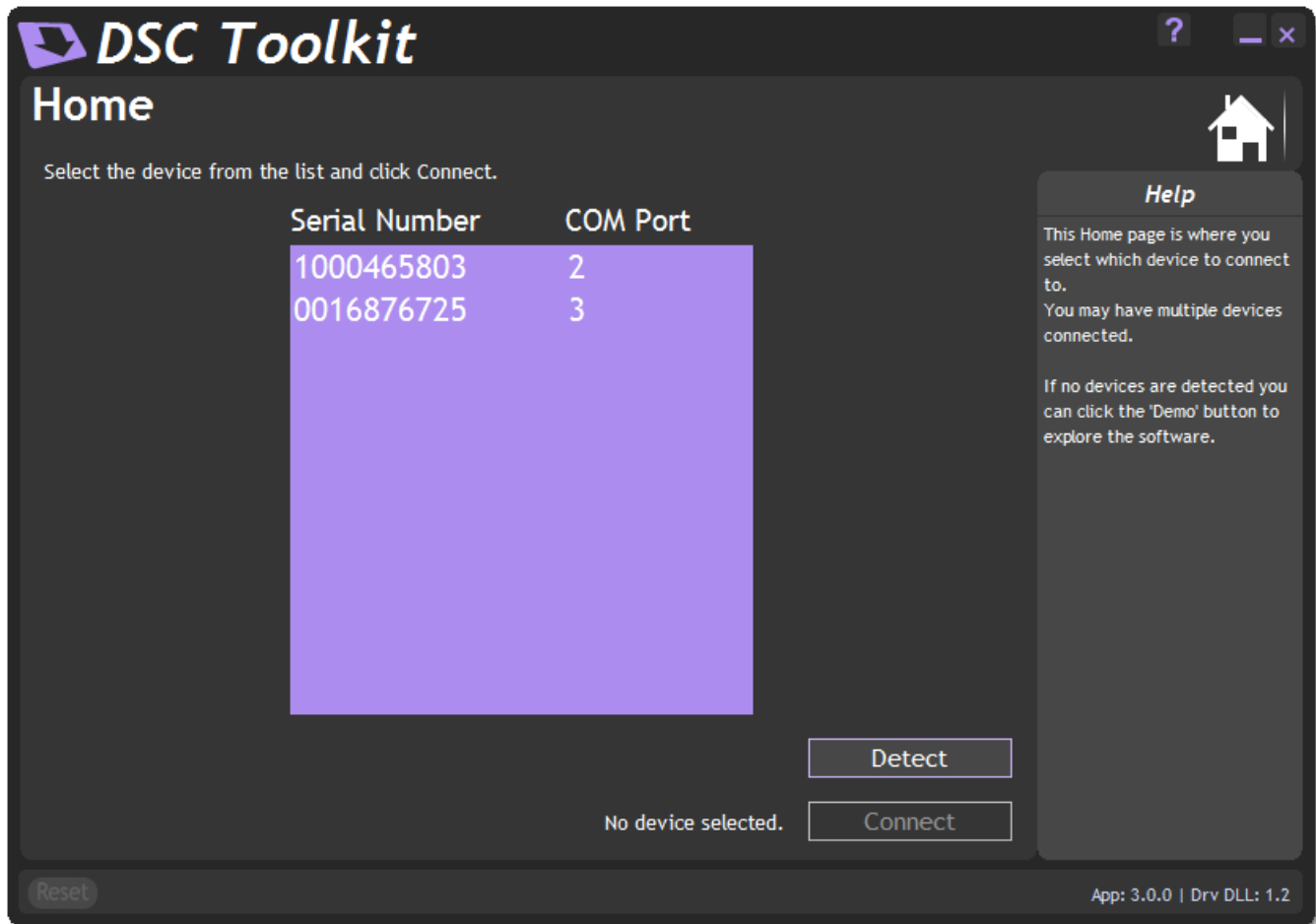
If any errors are detected these will be shown under the main display. The following screenshot shows an Integrity error present.



The error box will disappear once the error is no longer present.


Home Page

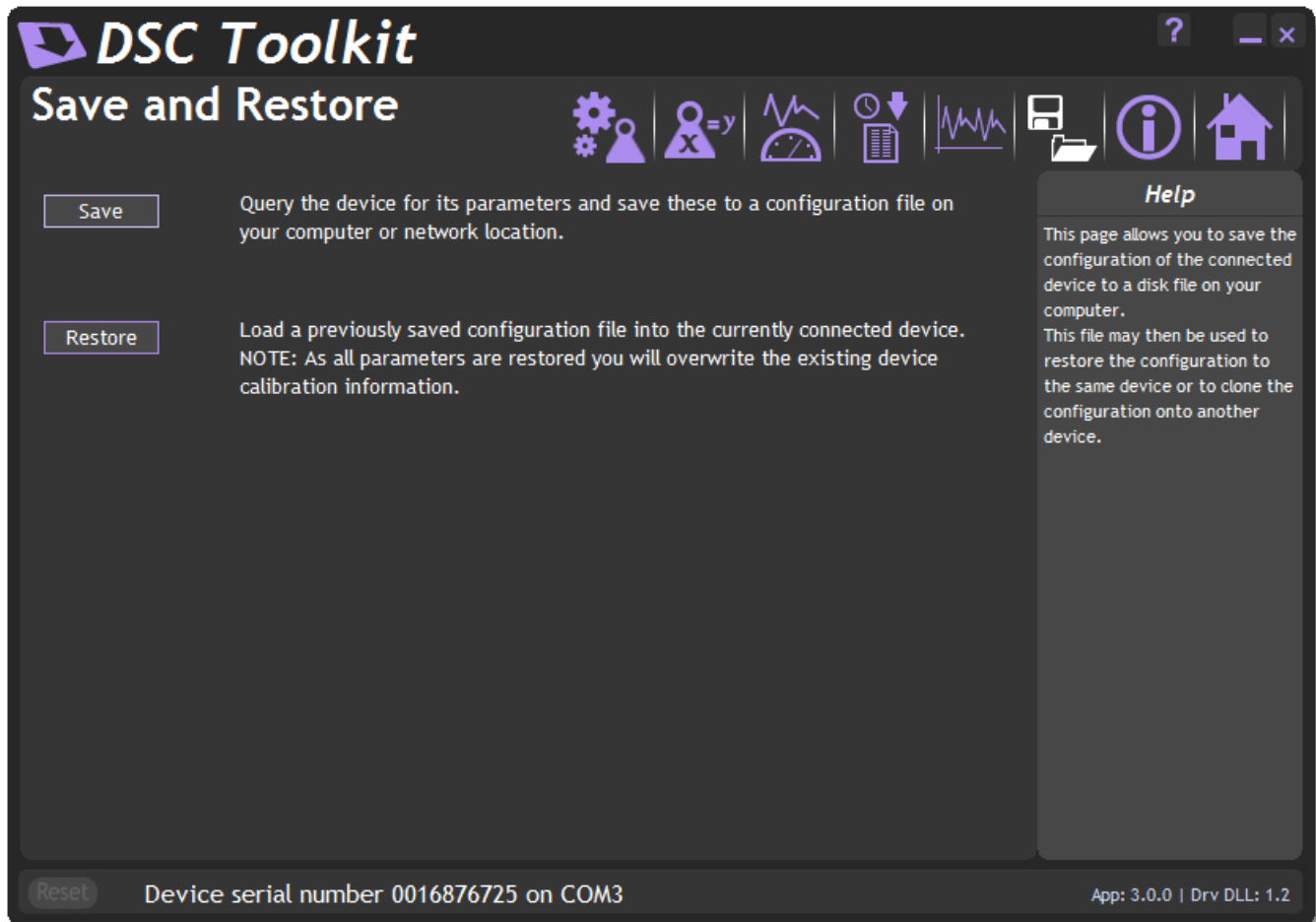
To select a different module just click the Home icon



You can then select a different module or plug in a different module. If you change the connected modules click the 'Detect' button to re-list the modules. Then select the required module from the list.

Save and Restore Page


Click on the  icon to open the Save & Restore page.

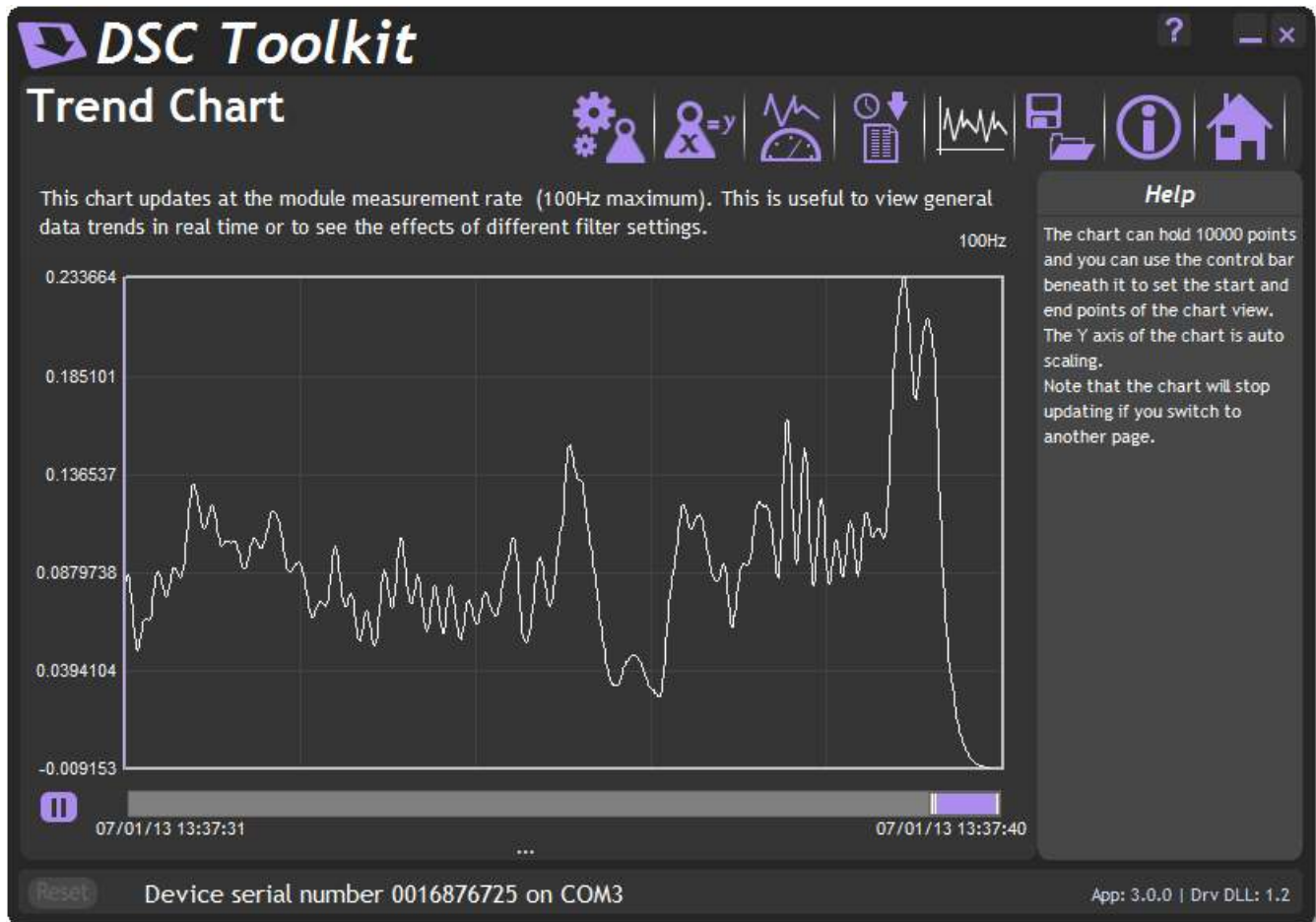


Clicking the 'Save' buttons will allow you to specify a file to which the configuration of the connected module is written.

Once saved this file can be selected, after clicking the 'Restore' button, and the settings restored to the same module or to another module.

Trend Chart Page

Click on the  icon to open the Trend Chart page.




Data will be read from the module at the **Measurement Rate** (up to a maximum rate of 100Hz) and added to the trend chart. You can see the current rate at which data is added at the top right of the chart.

The **Measurement Rate** can be selected in the **Data Rates and Filter** page by clicking .

The chart Y axis is auto scaling but you can select the view into a stored history of 10,000 data points. Just drag the handles of the slider control under the chart to define the start and end point of the view.

The date and time of the first and last point on the chart are displayed in the lower left and right area under the chart. By clicking in the chart you can display a cursor and the date and time at the point of the cursor, also the data point value will be displayed underneath the chart.



Clicking the Pause button  to the left of the view control will pause the chart. This will stop data being added to the chart. Please note that data will also cease to be added to the chart if you switch to another page by clicking any of the icons on the toolbar.

Right clicking the chart will display a pop-up menu allowing the following

Copy Chart Image

A graphic image of the chart will be copied to the clipboard.

Copy Chart Data


All the data points in the chart will be copied to the clipboard in a suitable format to be pasted into Microsoft Excel and many other applications. The columns will be separated with Tab characters and each line terminated with a carriage return.

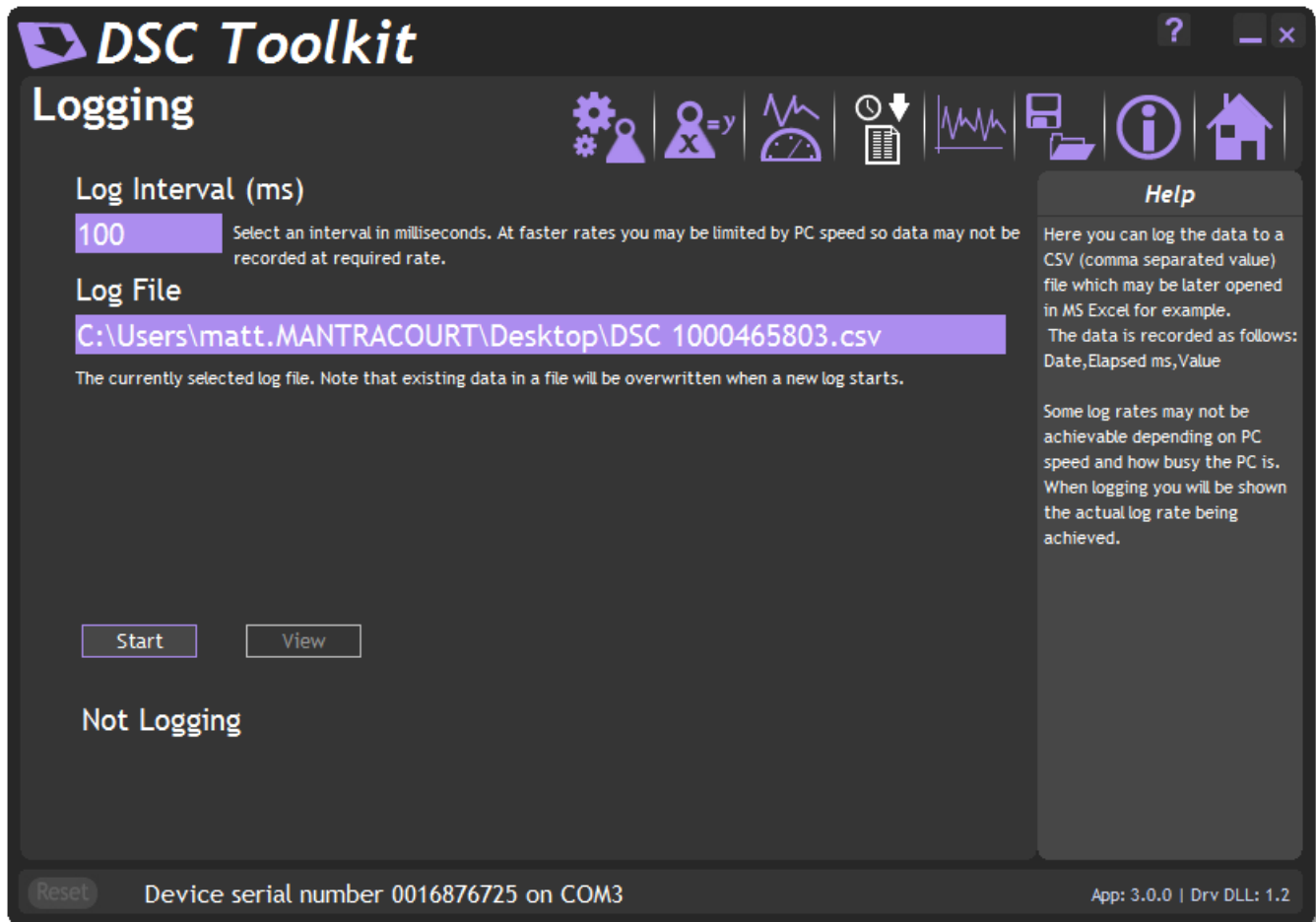
This may take a few seconds to copy to the clipboard.

Clear Chart

You will be asked to confirm this action and if accepted the chart will be cleared of all data.

Logging Page

Click on the  icon to open the Logging page.



The toolkit allows you to log data to a CSV (Comma Separated Value) file. This file will open in MS Excel when double clicked.

Log Interval

Choose a Log Interval in milliseconds between 10 and 32000. 10mS will enable a log at 100Hz.

Log File

Select a file to log to. Note that each time the log starts it will erase any data already in the file.

Start

Clicking this button will start the log.

Stop

Clicking this button will stop the log.

View

When a log has just been stopped this button will launch the application associated with CSV files.

The format of the log file is as follows:

```
DateTime, Elapsed, Value
```

Where:

DateTime is the date and time in long format

Elapsed is the time elapsed in milliseconds since the start of the log

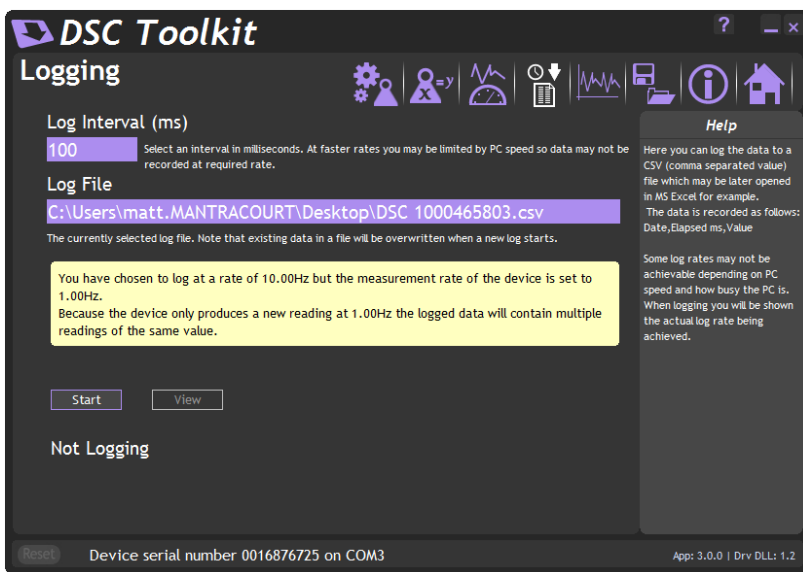
Value is the numeric value logged

Example

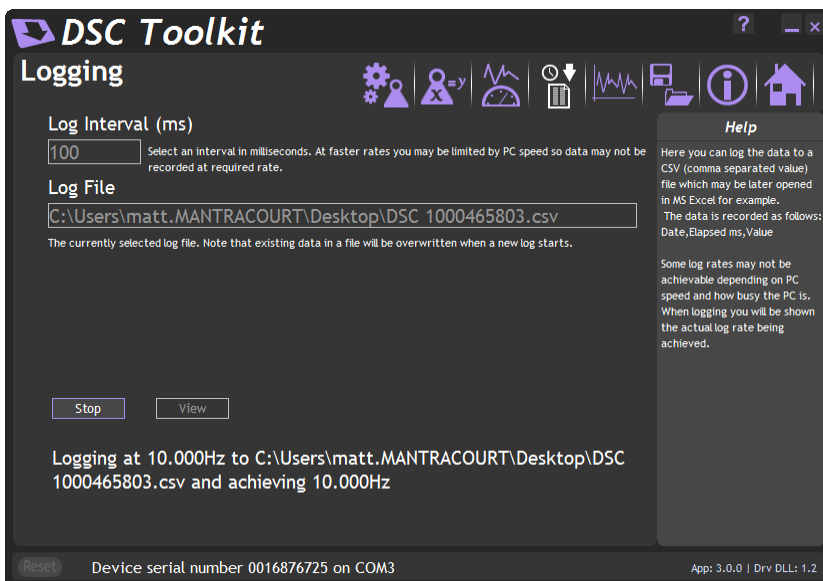
```
08/06/2009 15:41:08,0,-3.25300008989871E-03
08/06/2009 15:41:08,10,-3.25300008989871E-03
08/06/2009 15:41:08,43,-3.25300008989871E-03
08/06/2009 15:41:08,60,-3.25300008989871E-03
```

If the measurement rate of the module is less than the rate at which you have chosen to log you will be informed with a message as shown below.


Either reduce the **Log Interval** or reduce the **Measurement Rate**.

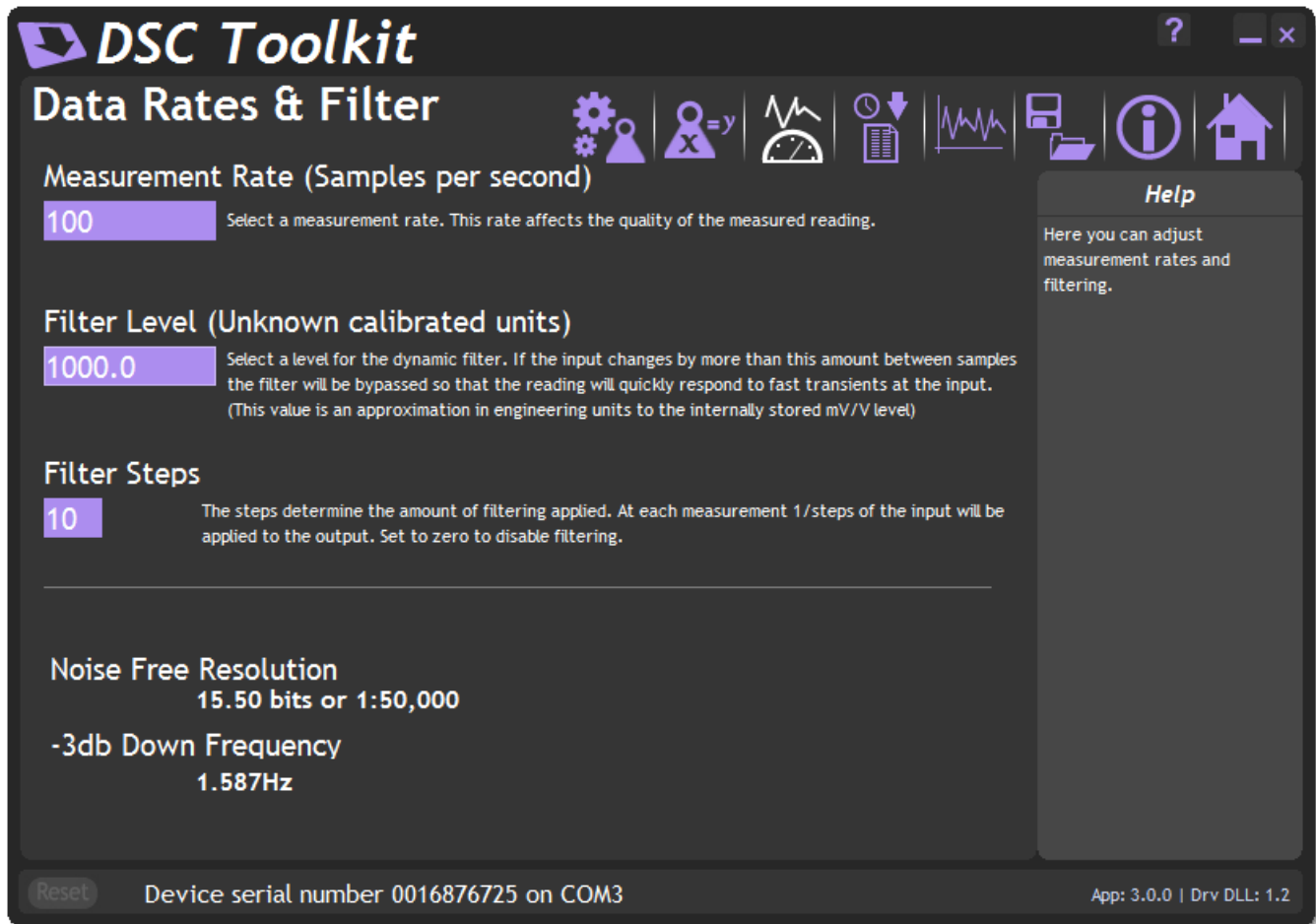


Once the logging starts the actual achieved log rate will be displayed at the bottom of the window. This is useful for diagnostics such as when a heavily burdened PC is slowing the log rate.



Data Rates and Filter Page

Click on the  icon to open the Data Rates & Filter page.



This page allows you to select the measurement rate and filtering characteristics.

The measurement rate affects the noise free resolution which is indicated at the bottom of the page.

The filter level and filter steps affect the frequency response of the input which is indicated at the bottom of the page.

The Dynamic filter is basically a recursive filter and therefore behaves like an electronic 'RC' circuit. It has two user settings, a level set in the calibrated engineering units and the maximum number of steps (up to 255).

Instead of outputting every new value, a fraction of the *difference* between the new input value and the current filtered value is added to the current filtered value to produce the filtering action.

If this difference is less than the value set in the **Filter Level** then the fractional amount added each time is decremented until it reaches the minimum level set by **FFST** i.e. **FFST** is the *limit* of the divisor.

e.g. if **Filter Steps** = 10 the fractional part of the difference between the new value and the current filtered value will be added to the current filtered value.

If a rapidly changing or step input occurs and the difference between the new input value and the current filtered value is greater than the value set in **Filter Level** then the output of the filter will be made equal to the new input reading i.e. the fractional amount of the new reading added to the current reading is reset to 1. This allows the Filter to respond rapidly to fast moving input signals.

When a step change occurs which does not exceed **Filter Level**, the new filtered value is calculated as follows:

New Filter Output value = Current Filter Output Value + ((Input Value - Current Filter Output Value) / Filter Steps)

The time taken to reach 63% of a step change input (which is less than **Filter Level**) is dependant on the frequency at which values are passed to the dynamic filter, set in **Measurement Rate**, multiplied by **Filter Steps**.

The table below gives an indication of the response to a step input which is less than **Filter Level**.

% Of Final Value	Time To settle
63%	Measurement Rate * Filter Steps
99%	Measurement Rate * Filter Steps * 5
99.9%	Measurement Rate * Filter Steps * 7

For example, If **Measurement Rate** is set to 100Hz = 0.01s and **Filter Steps** is set to 30 then the time taken to reach a % of step change value is as follows.

% Of Final Value	Time To settle
63%	0.01 x 30 = 0.3 seconds
99%	0.01 x 30 x 5 = 1.5 seconds
99.9%	0.01 x 30 x 7 = 2.1 seconds

The following table shows the number of updates '**x Filter StepsT**' and the '**% Error**' that the **Filtered Output value** will differ from the constant **Input Value**.


x FFST	% Error	x FFST	% Error
1	36.78794412	11	0.00167017
2	13.53352832	12	0.00061442
3	4.97870684	13	0.00022603
4	1.83156389	14	0.00008315
5	0.67379470	15	0.00003059
6	0.24787522	16	0.00001125
7	0.09118820	17	0.00000414
8	0.03354626	18	0.00000152
9	0.01234098	19	0.00000056
10	0.00453999	20	0.00000021

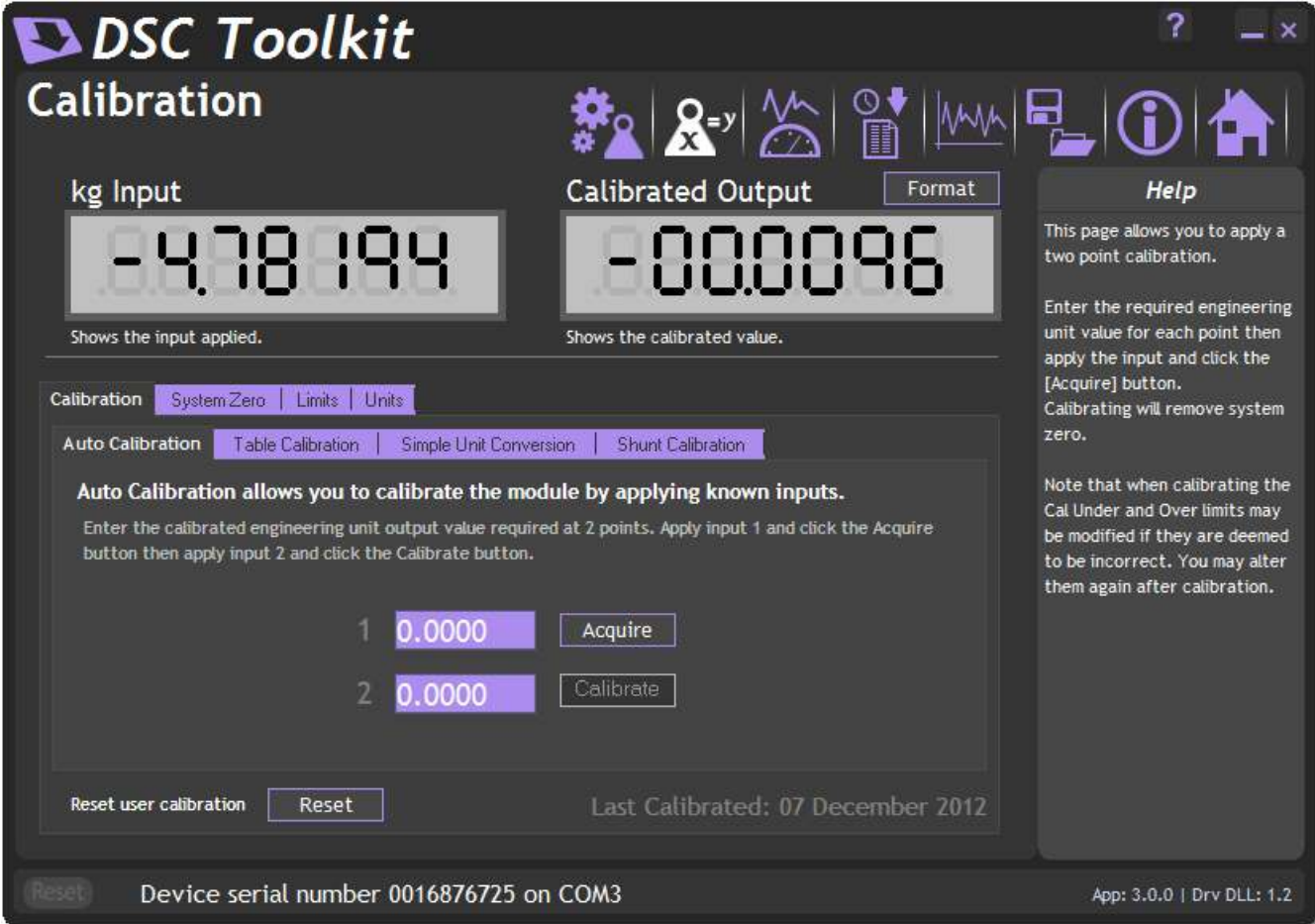
Remember: if the step change in mV/V is greater than the value set in **Filter Level** then:
New Filter Output value = New Input Value i.e. the output jumps to the new input value and the internal working value of **Filter Steps** is reset to 1. This is then incremented each update (set by **Measurement Rate**) until it reaches the user set value of **Filter Steps**.

The filter can be disabled by entering zero for **Filter Steps**.

Note: The **Filter Level** is stored internally in the module in mV/V and is only presented to the operator via the software as calibrated engineering units to make it easier. Therefore if the calibration is changed the displayed **Filter Level** will change to reflect the new engineering units.

Calibration Page

Click on the  icon to open the Calibration page.



DSC Toolkit
Calibration

kg Input: -4.78194
Shows the input applied.

Calibrated Output: -00.0096
Shows the calibrated value.

Calibration | System Zero | Limits | Units

Auto Calibration | Table Calibration | Simple Unit Conversion | Shunt Calibration

Auto Calibration allows you to calibrate the module by applying known inputs.
Enter the calibrated engineering unit output value required at 2 points. Apply input 1 and click the Acquire button then apply input 2 and click the Calibrate button.

1 0.0000 Acquire
2 0.0000 Calibrate

Reset user calibration Reset

Last Calibrated: 07 December 2012

Device serial number 0016876725 on COM3

App: 3.0.0 | Drv DLL: 1.2

This page allows you to calibrate the module using various methods, set limits, perform system zero and set units description.

The page is separated by tabbed sections. Click in a tab to change sections.

Reset user calibration - Click the 'Reset' button to remove any custom calibration you have applied.

If the DSC module supports it the date of the last change to calibration settings will be displayed.

Calibration

Auto Calibration

Calibration | System Zero | Limits | Units

Auto Calibration | Table Calibration | Simple Unit Conversion | Shunt Calibration

Auto Calibration allows you to calibrate the module by applying known inputs.

Enter the calibrated engineering unit output value required at 2 points. Apply input 1 and click the Acquire button then apply input 2 and click the Calibrate button.

1 0.0000 Acquire

2 0.0000 Calibrate

Reset user calibration Reset Last Calibrated: 07 December 2012

The automatic calibration requires that you apply two known (ascending) weight in sequence. Just enter the required engineering unit value for the two weights in the fields marked 1 and 2.

Next, apply the low weight and allow a settle time. Click the 'Acquire' button then apply the high weight. After another settle time click the second 'Acquire' button and the calibration is complete.

Table Calibration

Calibration | System Zero | Limits | Units

Auto Calibration | Table Calibration | Simple Unit Conversion | Shunt Calibration

Table Calibration allows you to calibrate the module by specifying the output value you require for two given input values.

Enter two input values and the value you would like as the output then click 'Calibrate'

1 kg 0.0000 Value 0.0000

2 kg 0.0000 Value 0.0000

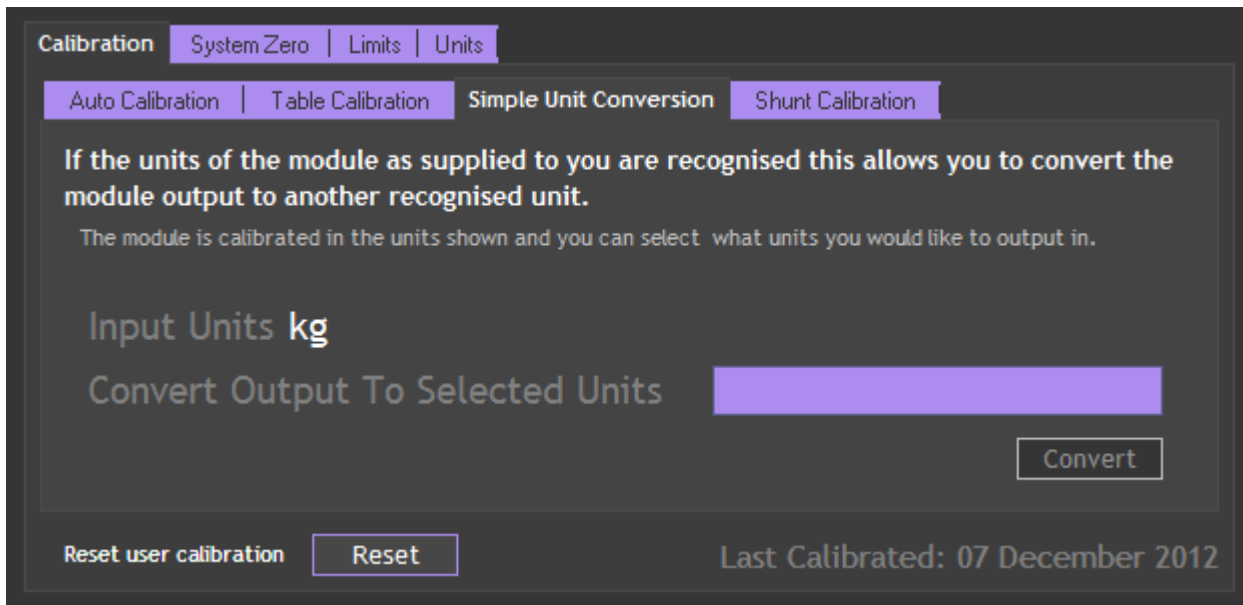
Calibrate

Reset user calibration Reset Last Calibrated: 07 December 2012

This option lets you calibrate direct from the loadcell manufacturers certificate without having to apply weights to the input.

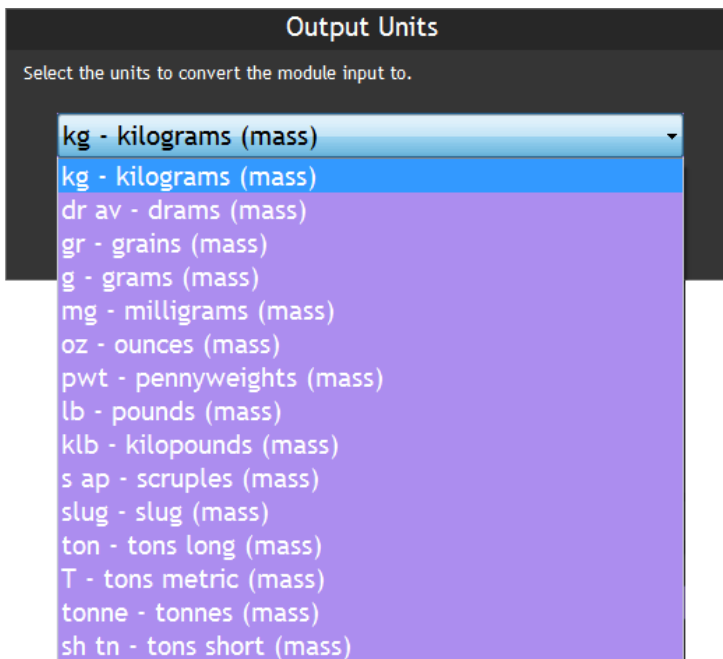
Choose 2 points from the loadcell certificate and enter the mV/V values and the weights on the certificate (or convert the certificate weight to any other engineering unit of your choice) click the 'Calibrate' button and the calibration is complete.

Simple Unit Conversion



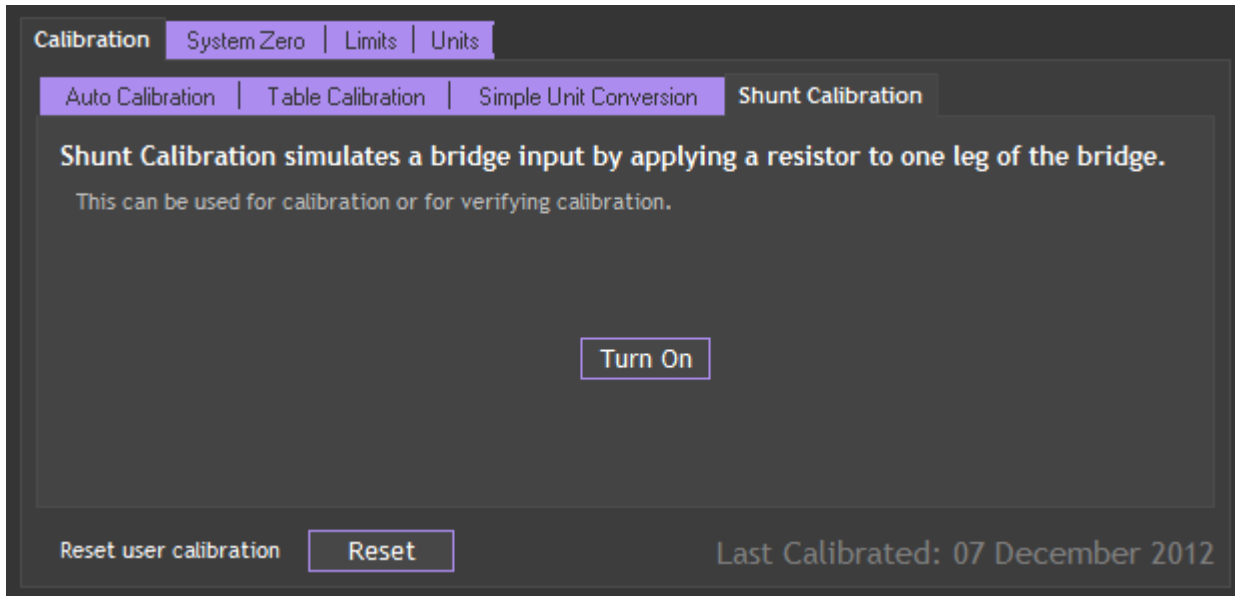
This tab will only be enabled if the module has been calibrated in the Advanced Calibration section.

If the Toolkit then recognises the calibrated units (In the example above it is kg) then you can click the box next to 'Convert Output To Selected Units' and you will be presented with a list of units that you can automatically convert to.



Select the required units, click OK then click the 'Convert' button. The Toolkit will then alter the user calibration to provide the output in the selected engineering units.

Shunt calibration

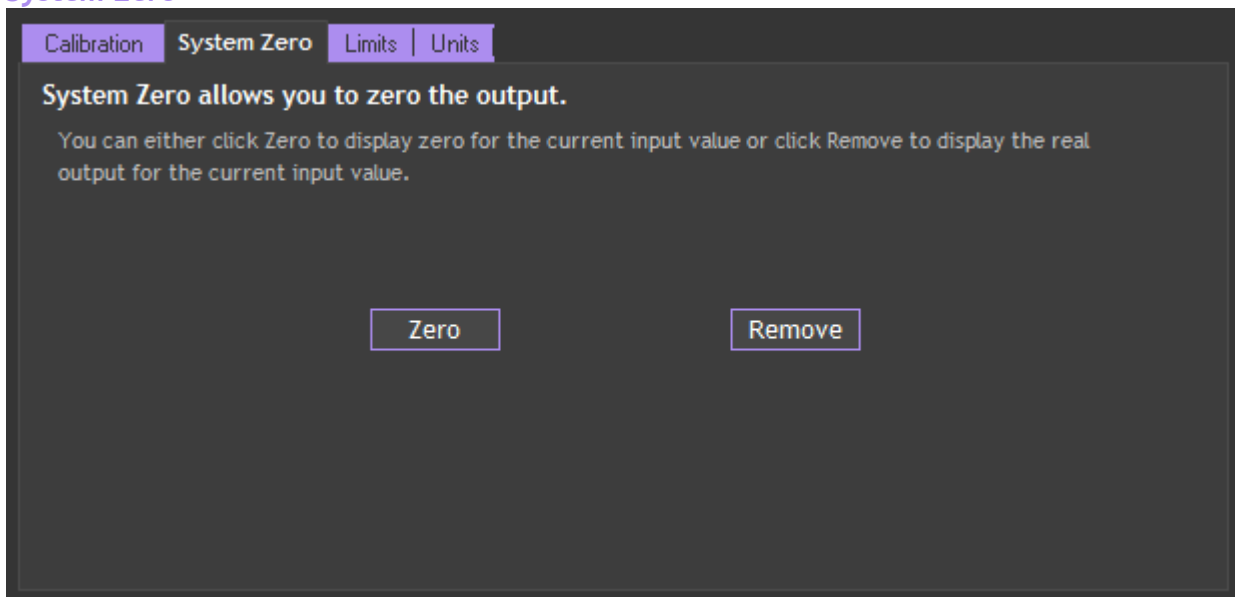


Click the 'Turn On' / 'Turn Off' button to toggle the shunt calibration output. The shunt cal internally connects a resistor across the strain gauge bridge. This causes a change in value that can be seen on the Information page



By recording the change in value after calibration or installation the system can be verified at a later date by noting the change caused by turning on shunt cal again.

System Zero



To remove the current weight on all subsequent readings click the 'Zero' button. Click the 'Remove' button to return to displaying the actual weight applied. This system zero is stored in the module and remains through power cycling.

Limits

Calibration | System Zero | Limits | Units

Limits allow you to select engineering unit values that when exceeded display a warning on the main information page.

Simply enter the under and over limit values using the calibrated output units.

Cal Under (SMIN)

Cal Over (SMAX)

Set the minimum and maximum input values in calibrated engineering units. When the input falls outside these limits the flags will be set.

Here you can set limits below and above which the warning indicators will be displayed on the Information Page.

Units

Calibration | System Zero | Limits | Units

You can specify the unit type here. This is simply the unit text that is displayed on the main information page.

NOTE: If you want to actually change the output value use the Simple Unit Conversion function which, if it recognises the input units, will allow you to convert to other unit types by applying calibration.

Units Text


Here you can override any descriptive units that will be displayed on the home page and various other pages.

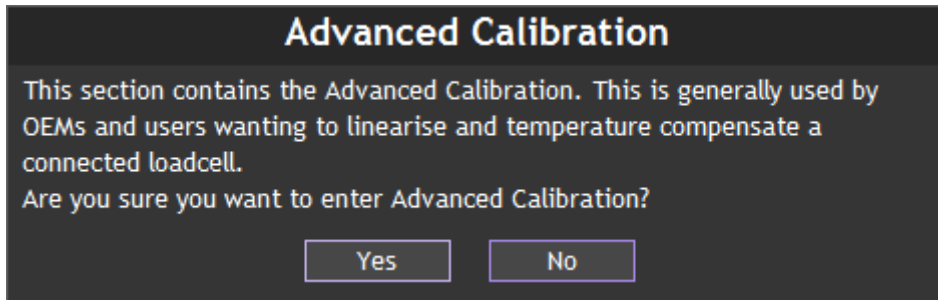
This does not affect the calibration of the module.

You would use this feature to either add custom units to display after your own calibration or to remove the units provided by your supplier or those automatically set after performing a 'Simple Unit Conversion'.

Advanced Calibration Page




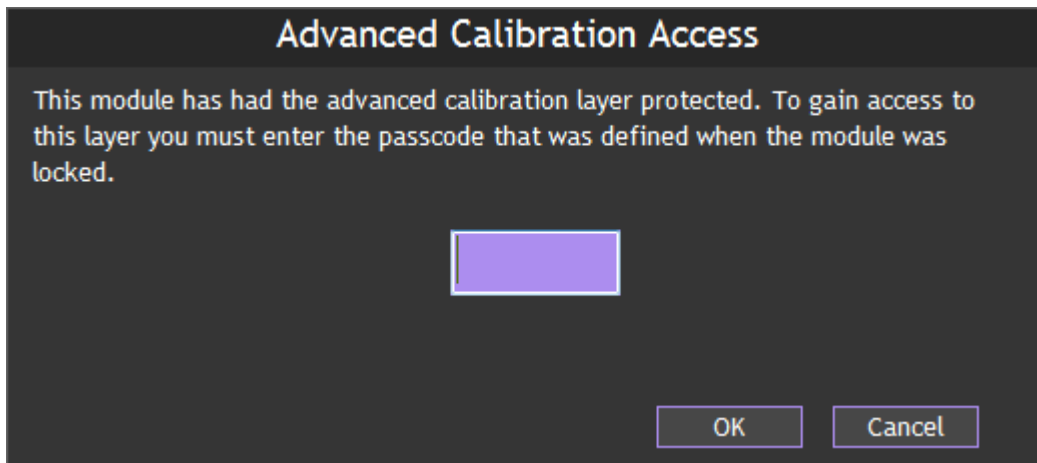
Click on the  icon to open the Advanced Calibration page. The icon will appear like this when the module has not had the Advanced Calibration locked out. A message will appear asking if you are sure you want to enter this advanced level of the software.



You must refer to the DSCUSB Advanced Manual for information regarding the Advanced Calibration pages.



If the module has been protected the icon will appear greyed out  and you will have to enter a passcode to access the Advanced Calibration page.



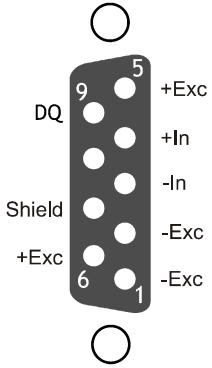
You must refer to the DSCUSB Advanced Manual for information regarding the Advanced Calibration pages.

Chapter 3 Installation

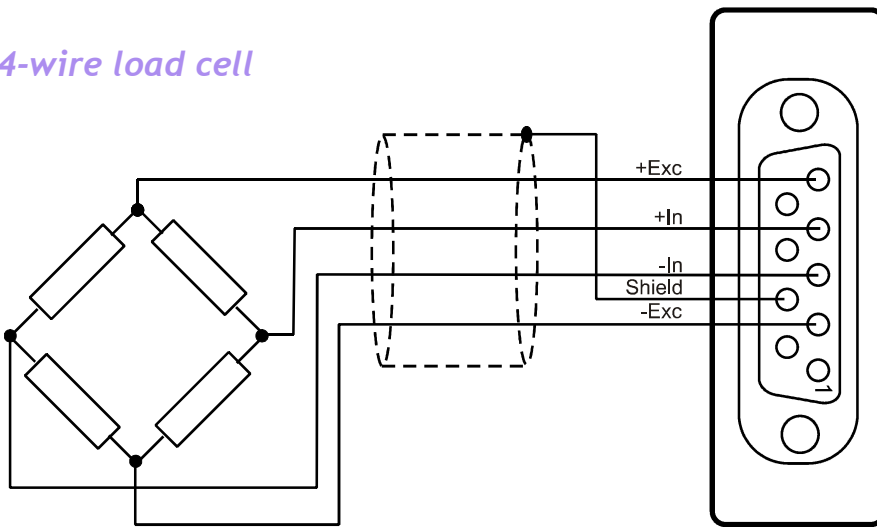
This chapter gives detailed information on integrating the DSCUSB into a production system - including mounting, protection, adjustments, wiring and electrical requirements.

Identifying Strain Gauge Connections

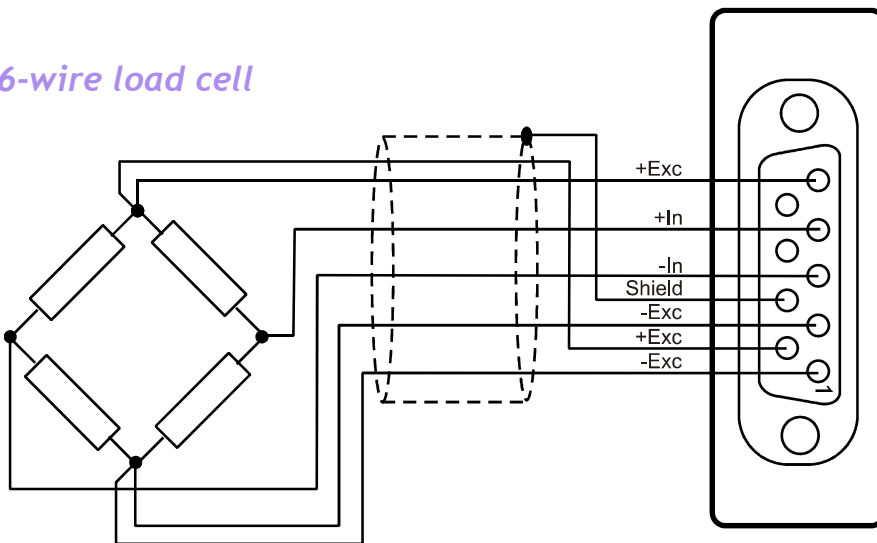
9 way D Connector Pin-outs



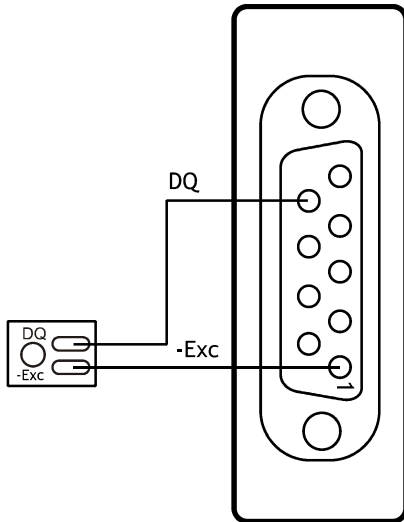
4-wire load cell



6-wire load cell



Temperature Sensor (Optional)



The temperature module is a small double sided PCB with an 8 pin SOIC integrated circuit mounted to it. The dimensions are 10.5 x 7.6 x 2.5mm (0.413 x 0.299 x 0.098”). There are two solder pads for connection to the DSCUSB. A 2mm hole is used for fixing the temperature module to the body of the load cell.

The module should, ideally, be positioned as close as possible to the strain gauges. The IC on the temperature module must also be in good thermal contact with the load cell body so the strain gauges and temperature sensor see the same temperature.

Chapter 4 Specifications

Technical Specifications

Parameter	Min	Typical	Max	Units
Strain Gauge Measurement	4 Wire			
Strain Gauge Excitation Voltage	4.5	5	5.25	VDC
Strain Gauge Drive Capability	80	-	5000	Ohms
Strain Gauge Sensitivity	-3	2.5	3	mV/V
Offset Temperature Stability		1	4	ppm/°C
Gain Temperature Stability		3	5	ppm/°C
Offset Stability with Time		20	90	ppm of FR (1)
Gain Stability with Time			30	ppm of FR (2)
Non Linearity before Linearization		5	25	ppm of FR
Internal Resolution		16 Million		Counts/divs
Resolution @ 1Hz readings (Noise stable) over 100s		200,000		Counts/divs
Resolution @ 10Hz readings (Noise stable) over 100s		120,000		Counts/divs
Resolution @ 100Hz readings (Noise stable) over 100s		50,000		Counts/divs
Signal Filter	Dynamic recursive type user programmable			

Electrical	Min	Typical	Max	Units
Power Supply voltage	4.25	5	5.5	V dc
Power Supply current (350 Ohm Bridge)		68	75	mA

Data transmission	Min	Typical	Max	Units
Data transmission rate		115.200		kbps
Output cable length			5	m

Optional Temperature Resolution	Min	Typical	Max	Units
Temperature Measurement Resolution		0.0625		°C
Temperature Measurement Accuracy (-10 to 85)		0.5		°C
Temperature Measurement Accuracy (-55 to 125)		2.0		°C
Temperature update Speed		5		Seconds

Environmental	Min	Typical	Max	Units
Operating temperature range	-40		+85	°C
Storage temperature	-40		+85	°C
Humidity	0		95	%RH
Protection	IP50			

Dimensions	
Cased version	70.5 x 51 x 20mm excluding 9-way 'D' type socket connector. 74.5 x 51 x 20mm including connector.

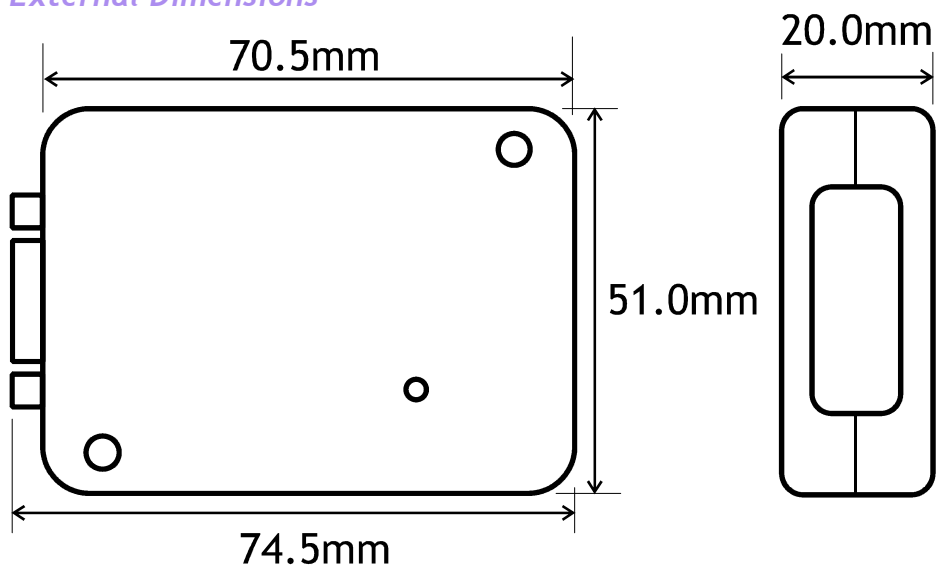
Notes.

1. From original offset at any time
2. 1st Year

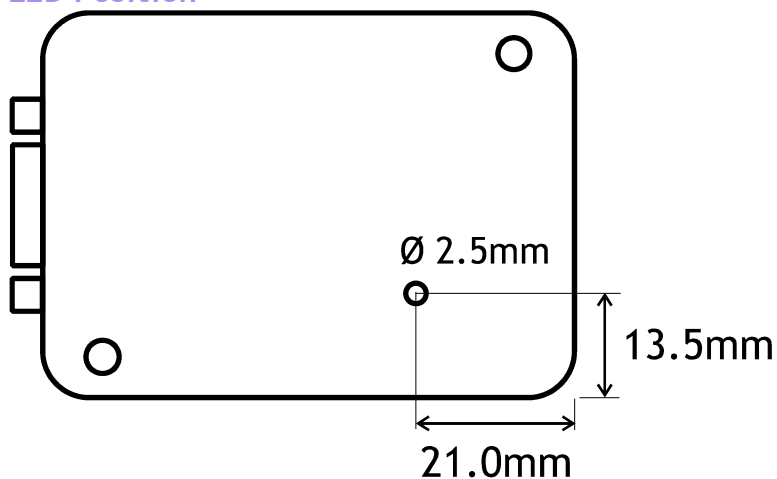
Dimensions & Mounting

The following diagrams show the case dimensions and mounting holes and optional DIN rail mounting kit.

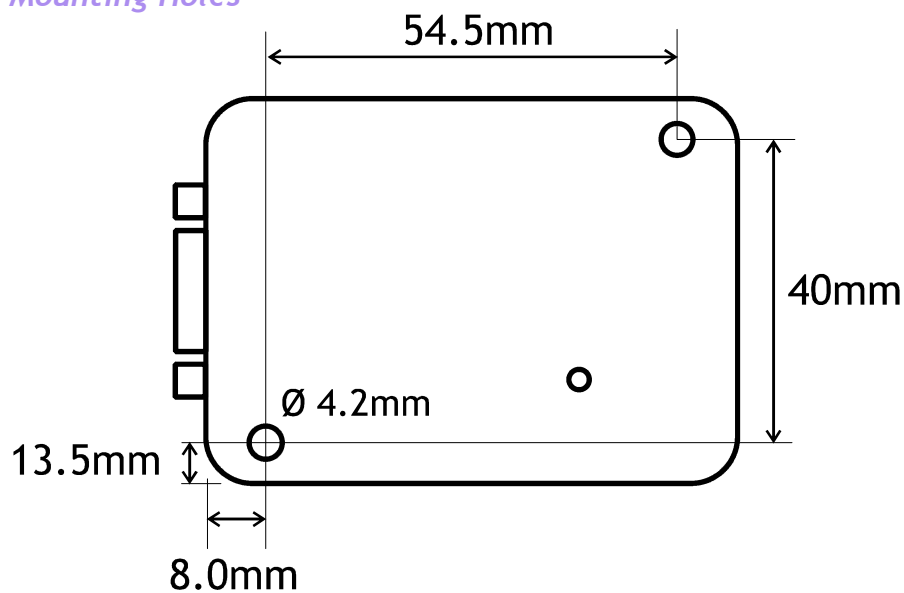
External Dimensions



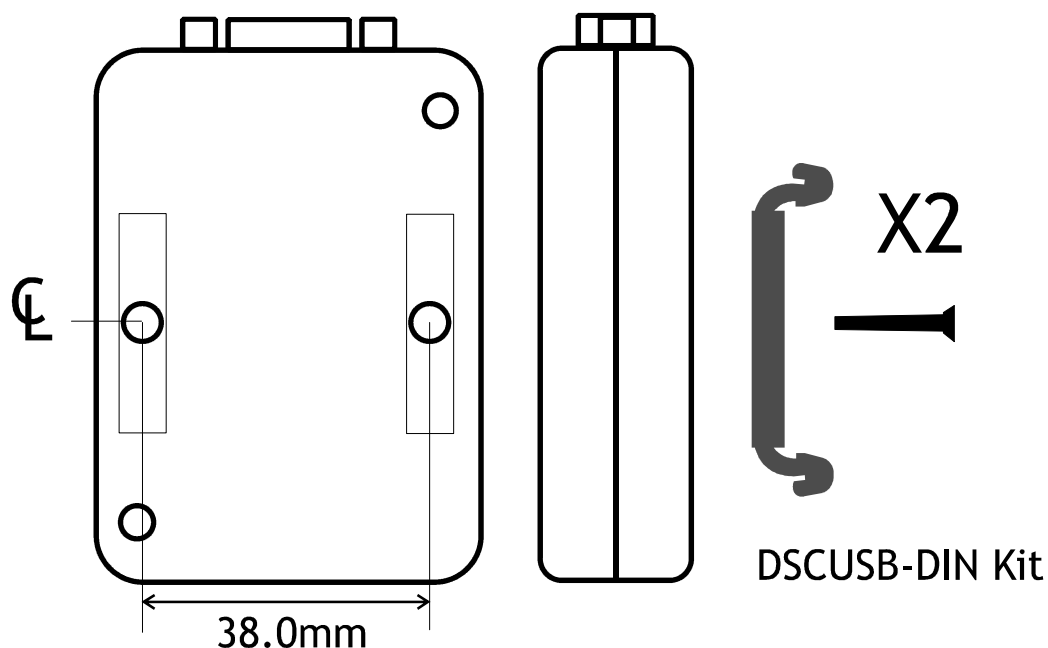
LED Position



Mounting Holes



DIN Rail Mounting (Optional Kit)



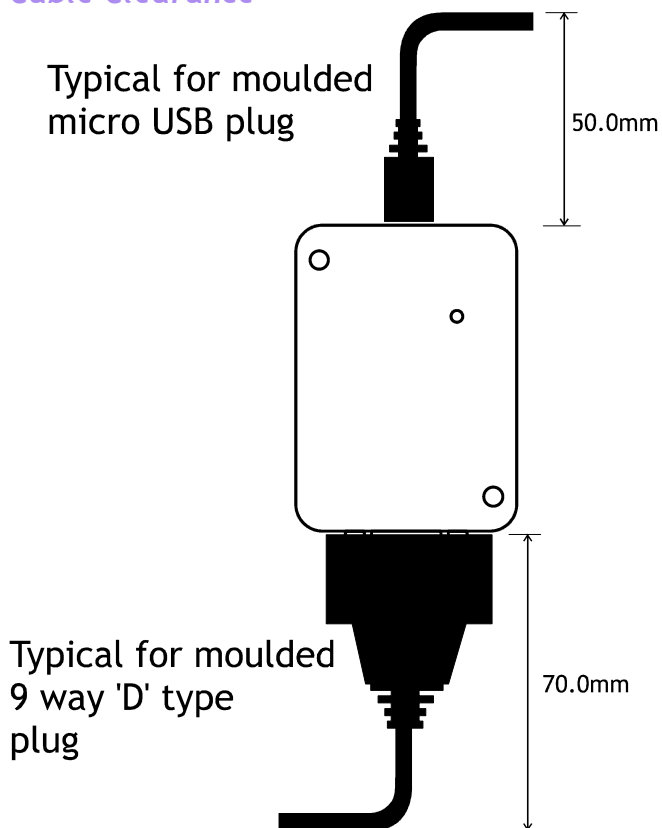
A DIN rail mounting kit is available for top hat DIN rail EN 50022. Optional part DSCUSB-DIN consists of a pair of screws and two DIN rail clips.

Remove the two screws on the rear of the DSCUSB case and replace with the longer screws from the DSCUSB-DIN kit. These longer screws secure the din rail clips which sit in the rectangular depressions around the screw holes.

NOTE: You may want to remove and replace one screw at a time to avoid the case coming apart.

Once fitted the top face of the DSCUSB will be 31.4mm from the surface that the DIN rail is mounted on.

Cable Clearance



These are typical clearances but smaller mouldings or using a tighter cable radius can reduce this.

Cable Retention

The 9 way 'D' socket can accept a mating plug that has screw retention functionality. The micro USB socket does not have any form of cable retention and this must be taken into account if mounting the DSCUSB to ensure that the cable cannot disengage accidentally or through vibration.

Environmental Approvals

CE Approvals

European EMC Directive 2004/108/EC
BS EN 61326-1:2006
BS EN 61326-2-3:2006

Output shall not exceed the sum of uncertainties when subjected to an electric field of 10V/m over the frequency range 80 to 600MHz

Warranty

All DSC products from Mantracourt Electronics Ltd., ('Mantracourt') are warranted against defective material and workmanship for a period of (3) three years from the date of dispatch.

If the 'Mantracourt' product you purchase appears to have a defect in material or workmanship or fails during normal use within the period, please contact your Distributor, who will assist you in resolving the problem. If it is necessary to return the product to 'Mantracourt' please include a note stating name, company, address, phone number and a detailed description of the problem. Also, please indicate if it is a warranty repair.

The sender is responsible for shipping charges, freight insurance and proper packaging to prevent breakage in transit.

'Mantracourt' warranty does not apply to defects resulting from action of the buyer such as mishandling, improper interfacing, operation outside of design limits, improper repair or unauthorised modification.

No other warranties are expressed or implied. 'Mantracourt' specifically disclaims any implied warranties of merchantability or fitness for a specific purpose. The remedies outlined above are the buyer's only remedies. 'Mantracourt' will not be liable for direct, indirect, special, incidental or consequential damages whether based on the contract, tort or other legal theory.

Any corrective maintenance required after the warranty period should be performed by 'Mantracourt' approved personnel only.



© In the interests of continued product development, Mantracourt Electronics Limited reserves the right to alter product specifications without prior notice.